

FAX-30

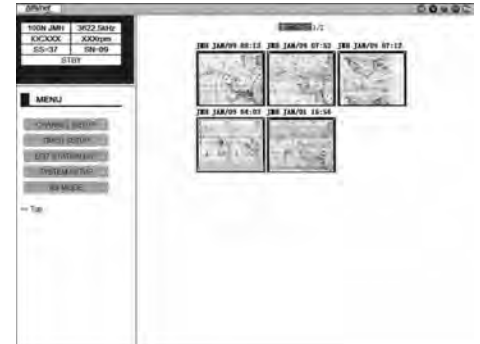
WEATHER FACSIMILE RECEIVER



- ▶ Connection to a NavNet display or PC through an Ethernet
- ▶ User friendly softkey menu operation on NavNet display
- ▶ Web navigation using Internet Explorer or Netscape
- ▶ Print images and messages from generic PC and printer
- ▶ Storage of maximum 12 images on NavNet display (depending on file size)
- ▶ Thumbnail view for easy selection of stored images
- ▶ Noise Rejection for clear image

The FAX-30 can turn any NavNet display or PC into a weather fax and NAVTEX receiver for obtaining weather forecasts and safety information. This "BlackBox" unit connects directly to a NavNet display or an Ethernet hub with a single Ethernet cable. If a multiple of NavNet displays are connected on the Ethernet bus, each of those displays will have access to the FAX-30. In addition, the FAX-30 has the capability of being connected to a standard PC with Ethernet card.

The FAX-30 receives the weather map broadcast from a fax transmitting station working under WMO standards. Up to twelve received pictures can be stored on internal memory. The pictures stored can be freely rotated or zoomed in/out on the screen. By selecting the built-in NAVTEX receiver, you can view up to 130 stored NAVTEX messages.



Up to twelve received pictures can be stored

SPECIFICATIONS OF FAX-30

General

Frequency Range	80 kHz to 160 kHz, 2 MHz to 25 MHz, 490 kHz, 518 kHz (NAVTEX)
Class of Emission	F3C, J3C, F1B (NAVTEX)
Receiving System	Double superheterodyne
Number of channel	1000 channels
Storage	
Fax:	12 pictures
NAVTEX:	130 messages
	55 characters x 20 lines
	Character size: 2.6 x 5.3 mm
Scanning Speed	60, 90, 120, 180 or 240 r.p.m., automatic or manual selection
I.O.C.	576 or 288, automatic or manual selection
Display Color	Monochrome, 8 shades of gray, Blue shades, Pink and black, Red and blue
Networking Standard	Ethernet 10Base-T TCP/IP

Power Supply

12-24 VDC, 12 W

Minimum System Requirements for PC

OS:	Windows 98, 2000, XP, VISTA
CPU:	600 MHz or faster
RAM:	128 MB or more
Resolution:	1024 x 768 pixels
Browser:	Internet Explorer Ver. 5.01 SP2/5.5 SP2/6.0 SP1/7.0 Netscape Communicator Ver. 4.78/6.2/7.0

Environmental Conditions

EMC, Vibration, Climatic: Complies with IEC 60945

Equipment List

Standard

1. Receiver Unit FAX-30 1 unit
2. Installation Materials and Spare Parts (including 5 m NavNet Cable or PC Adaptor Cable selectable) 1 set

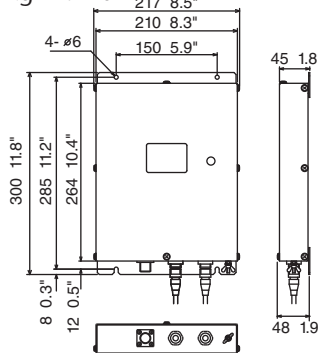
Option

1. Preamp Unit FAX-5 with 15 m cable
2. Antenna Fixing Clamp
3. Whip Antenna 04S4176
4. Extension Cable OP-04-2
5. NavNet 3D or PC Adaptor Cable MJ-A6SPF0017-050C
6. HUB Adaptor Cable MJ-A6SRMD/TM11AP8-005
7. NavNet Cable MJ-A6SPF0014 (1/10/20/30 m)
8. Automatic Printing Software FAX-30-APT

DIMENSIONS AND WEIGHT

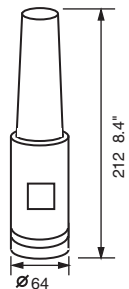
Receiver Unit FAX-30

2.0 kg 4.4 lb

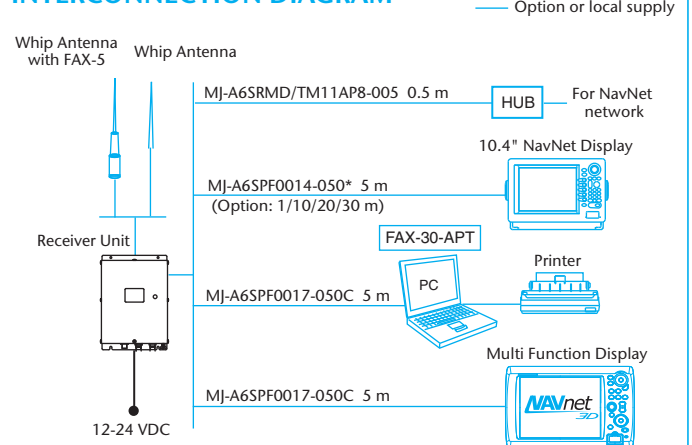


Preamp Unit FAX-5

1.3 kg 2.9 lb



INTERCONNECTION DIAGRAM



Note: FAX-30 can not be accessed by more than one PC at a time.
FAX-30-APT can not be run in multiple PC at a time.

TRADEMARK REGISTERED
SPECIFICATIONS SUBJECT TO CHANGE WITHOUT NOTICE

