



FURUNO

1st Watch Wireless Radar



Model **DRS4W**



Download on the
App Store



www.furuno.com

FURUNO 1st Watch Wireless Radar, the world's that you can access directly from your iOS devices.

- ▶ A 4kW Radar antenna, powerful yet compact in size
- ▶ Wireless LAN, first Radar in the world accessible from your iOS devices
- ▶ No extra wiring needed except the power source, making installation a breeze
- ▶ With image quality that matches that of a conventional 10" wired Radar, the DRS4W will impress you
- ▶ Simple touch interface with familiar gestures
- ▶ User selectable range scale from 0.125 to 24 nm
- ▶ Guard zone alarm available with updated Marine Radar App ver. 2.0.0
- ▶ Two iOS devices – simultaneous operation

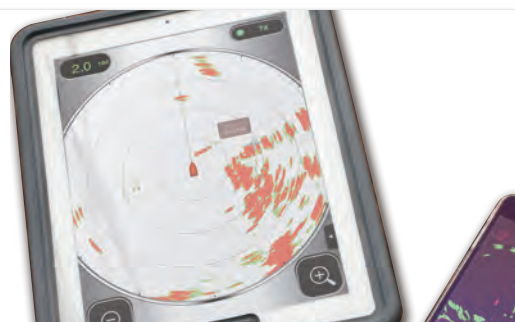
Move around and explore

With the new FURUNO 1st Watch Wireless Radar, you can do things previously impossible. You can bring the Radar display whenever you go, even put it on the iPhone in your pocket. Since the display is untethered, you are free to roam the vessel while maintaining full situational awareness of your surroundings. For example, you can bring the Radar display with you when jumping into the cabin quickly to grab fishing gear or other tools needed during your voyage.



Easy to use at 1st glance

Plug in the Radar, set up the free app from App Store and you're good to go. With familiar gestures it's a breeze to use, you can even use two iOS devices simultaneously. The app has been created with simplicity and efficiency in mind, providing reliable information that is easily accessible.



Less cables, more flexibility

Installation is simple with its compact and lightweight Radar antenna. Mount it, plug in the power cord and you're done. Due to the portability of the iOS devices this makes the system a good option for boats where space constrictions are of concern.

Please note that iOS devices and their accessories are sold separately and do not come included with this product.



first wireless Radar



1st Watch Wireless Radar

Model DRS4W

New

Guard Zone

Adjust the size and area of the guard zone by dragging the circles. Once the guard zone is activated, your iPad or iPhone will alert you whenever a target enters or leaves the guard zone.

** Marine Radar App ver. 2.0.0 required.*

Range Scale

Ship Position

Heading Line

Standby / TX button

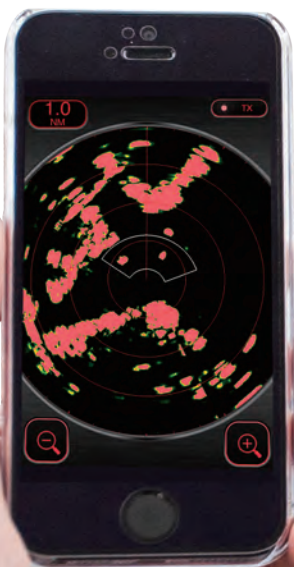
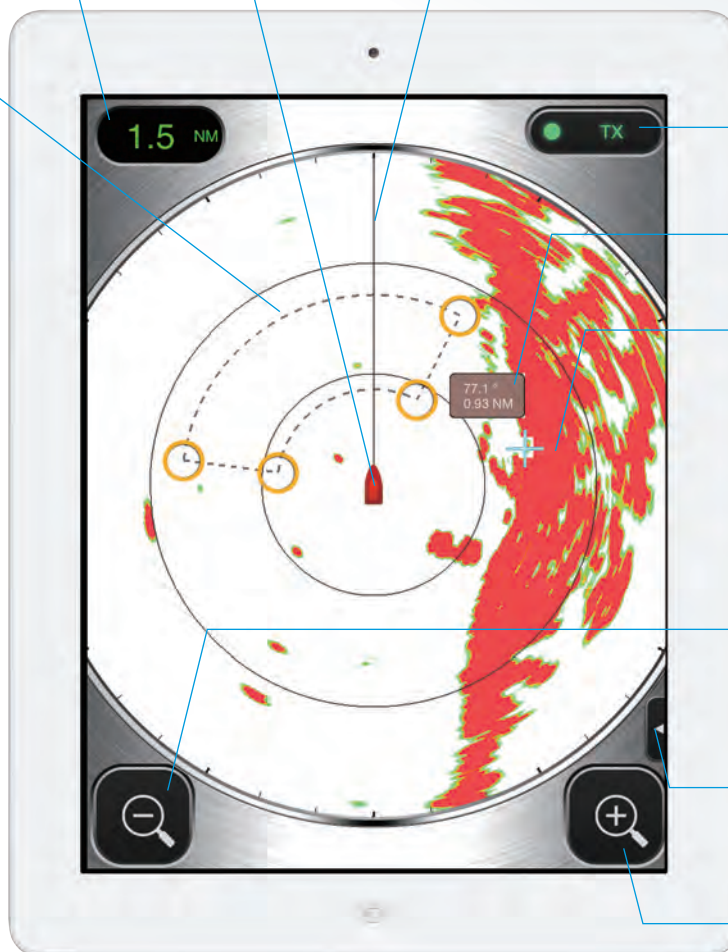
Cursor Position
(Bearing, Distance)

Radar Echoes

Range Scale
Zoom Out

Settings Menu

Range Scale
Zoom In



SPECIFICATIONS OF DRS4W

ANTENNA

Peak Output Power	4 kW
Type	Ø488 mm Radome (19 inch)
Frequency	9410 ± 30 MHz
Beam Width	Horizontal: 7.2° Vertical: 25°
Range Scales	0.125 to 24 nm
Antenna Rotation Speed	24 rpm
Wind Load	Relative wind 70 kn

WIRELESS LAN

The number of connectable	
iOS devices	2 units
Communication Frequency	2.4 GHz band

APPLICATION

Name	"Marine Radar" from Apple App Store
Display	iPad/iPad mini/iPhone (Customer supply)
Compliant OS	iOS 6.1 or later
Screen Orientation	Portrait/Landscape (iPad, iPad mini only)
Language	English
Method of obtaining	"Marine Radar" at App Store (Free of charge)
Mode	Full screen, Day/Night, Gain (auto), STC (auto), Rain, Auto Noise rejector, Off center, Cursor position, Guard zone alarm

POWER SUPPLY 12-24 VDC, 2.1-1.0 A (max)

ENVIRONMENT

Temperature	-25°C to +55°C
Waterproofing	IP26

EQUIPMENT LIST

Standard

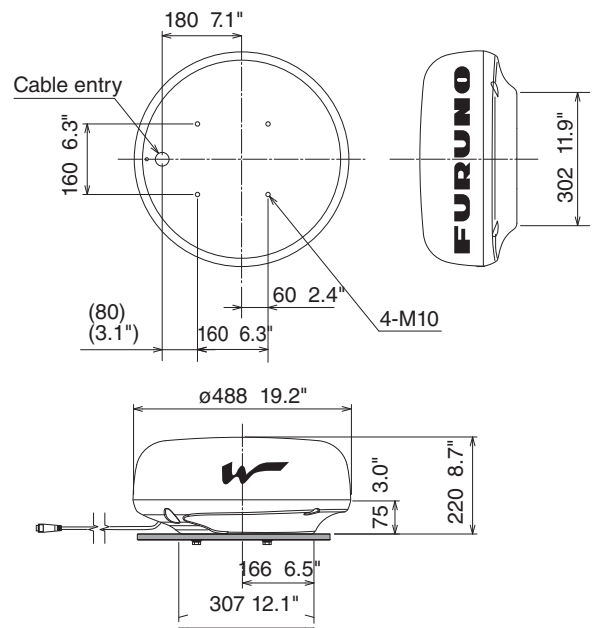
1. Antenna unit RSB-126
2. Power supply cable 10/15/20/30 m

Option

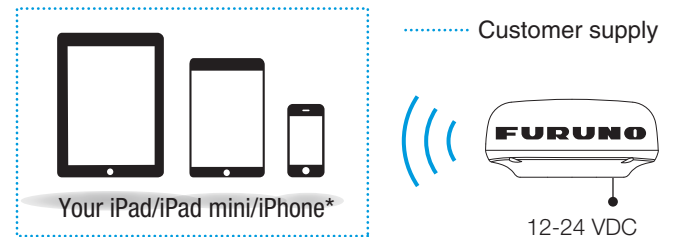
1. Radome mount OP03-93

ANTENNA UNIT

RSB-126 5.7 kg 12.5 lb



INTERCONNECTION DIAGRAM



* Available max 2 units at the same time.



Marine Radar

Free download the software from the App store.



DEMO App

Marine Radar SIMULATOR app will help you learn how to use Marine Radar DRS4W in an off-line environment before you navigate with the DRS4W onboard.



Marine Radar Simulator

Beware of similar products

Apple, the Apple logo, iPad, iPad mini and iPhone are trademarks of Apple Inc. registered in U.S. and other countries. App store is a service mark of Apple Inc.

SPECIFICATIONS SUBJECT TO CHANGE WITHOUT NOTICE

FURUNO ELECTRIC CO., LTD.

www.furuno.com



Find your local contact point